



REPLY TO
ATTENTION OF

AAHS-IHS (840-10a)

DEPARTMENT OF THE ARMY
THE INSTITUTE OF HERALDRY
9325 GUNSTON ROAD, ROOM S112
FORT BELVOIR, VIRGINIA 22060-5579

18 DEC 2012

MEMORANDUM FOR Commander, 478th Civil Affairs Battalion, ATTN: CSM Jose A. Torres, 13601 SW 176th Street, Miami, FL 33177-2502

SUBJECT: Beret Flash and Background Trimming for the 478th Civil Affairs Battalion, United States Army Reserve

1. In accordance with the provisions of AR-670-1, a beret flash and background trimming are authorized for wear by members of the 478th Civil Affairs Battalion.
2. The descriptions of the designs are as follows:

BERET FLASH

A shield-shaped embroidered item with a semi-circular base 2 1/4 inches (5.72 cm) in height and 1 7/8 inches (4.76 cm) in width overall, divided quarterly Sable, Gules, Tenné and Purpure; all within a 1/8 inch (.32 cm) Black border.

BACKGROUND TRIMMING

An oval-shaped embroidered item 1 3/8 inches (3.49 cm) in height and 2 1/4 inches (5.72 cm) in width overall, divided quarterly Sable, Gules, Tenné and Purpure; all within a 1/8 inch (.32 cm) Black border.

CABLE NUMBERS OF COLORS

Black	#67138
Orange	#67110
Purple	#67115
Scarlet	#67111

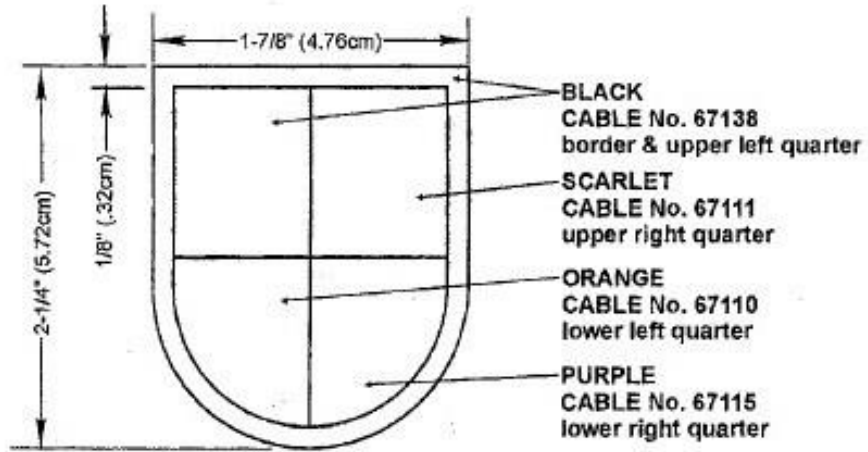
3. This authorization does not grant exclusive use of the above colors and pattern design for the 478th Civil Affairs Battalion.

Charles V. Mugno
CHARLES V. MUGNO
Director

CF: CMH

[Handwritten mark]

REVISIONS			
LTR	DESCRIPTION	DATE	APPROVED

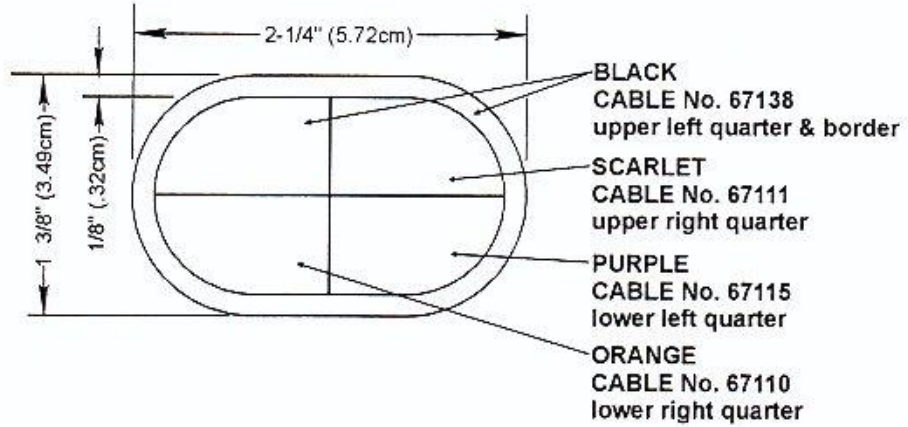


DESIGNED FOR OVEREDGE STITCHING

UNLESS OTHERWISE SPECIFIED DIMENSIONS ARE IN INCHES TOLERANCES ON FRACTIONS DECIMALS ANGLES	THE INSTITUTE OF HERALDRY, DEPARTMENT OF THE ARMY 9325 GUNSTON RD, RM S-113 FORT BELVOIR, VA 22060-6579		
	EXAMINED	TLC	
MATERIALS: TO BE MANUFACTURED IN ACCORDANCE WITH MIL-DTL-14852	CHECKED	JM	SAD
	PREPARED	CLN	
	APPROVED	 CHARLES V. MUGNO DIRECTOR	
SIZE		CONTROL IDENT. NO	
A		22571	A-4-282
SCALE		DATE	
FULL		7 DECEMBER 2012	

REVISIONS

LTR	DESCRIPTION	DATE	APPROVED
-----	-------------	------	----------



DESIGNED FOR OVEREDGE STITCHING

UNLESS OTHERWISE SPECIFIED DIMENSIONS ARE IN INCHES TOLERANCES ON FRACTIONS DECIMALS ANGLES

MATERIALS:
TO BE MANUFACTURED IN ACCORDANCE WITH MIL-DTL-14652

EXAMINED	TCC
CHECKED	JW SMO
PREPARED	CW
APPROVED	<i>Charles V. Mugno</i> CHARLES V. MUGNO DIRECTOR

THE INSTITUTE OF HERALDRY, DEPARTMENT OF THE ARMY
9325 GUNSTON RD, RM S-113 FORT BELVOIR, VA 22060-5579

BACKGROUND TRIMMING FOR

478TH CIVIL AFFAIRS BATTALION

SIZE CONTROL IDENT. NO
A 22571

A-6-307

SCALE FULL DATE **7 DECEMBER 2012**